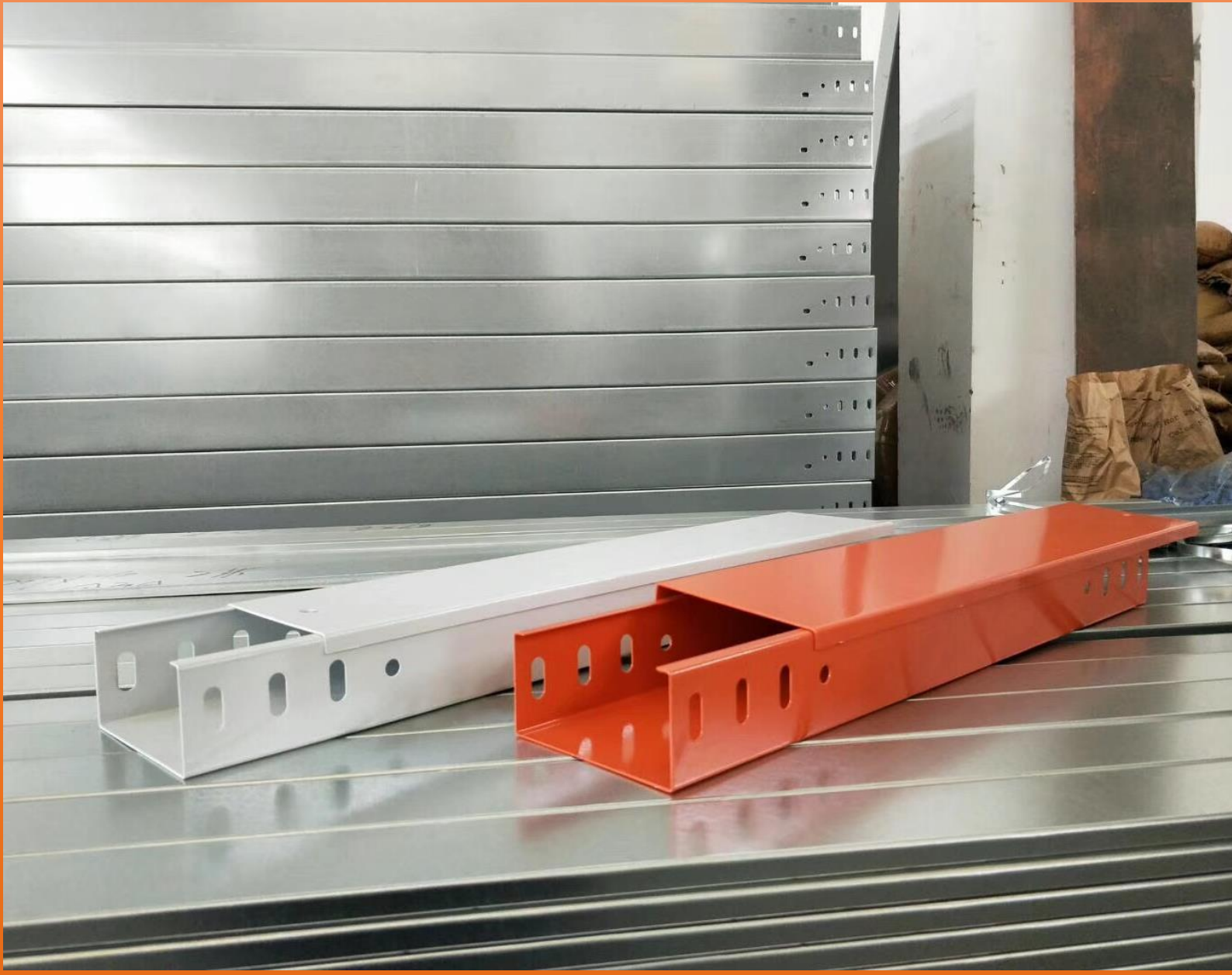




C.B. Asia Ltd

*Cable Trunking*





Cable Trunking is the original metal framing system featuring a unique weldless connection. Cable Trunking system eliminates welding and drilling, and is easily adjustable and reusable for infinite configurations.

Standard finish as below, customize available:

- ✓ **G---** Pre-galvanized steel
- ✓ **H----** Hot Dip Galvanized
- ✓ **S4---** Stainless Steel SS304
- ✓ **S6---** Stainless Steel SS306
- ✓ **P----** Powder Coated
- ✓ **M----** Mill/Plain Steel
- ✓ **A----** Aluminum
- ✓ **FRP**—Fiberglass Reinforced Plastics/GRP

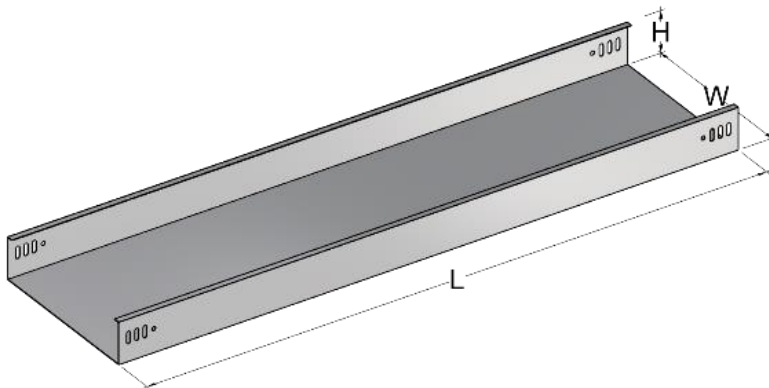
Advantages:

1. **Corrosion Resistance**
2. **Simple Usage**
3. **No Welding**
4. **No Drilling**
5. **Durability**

Suffix	Finish
<b>G</b>	<b>Pre-Galvanized/PG/GI</b>
<b>H</b>	<b>Hot Dip Galvanized/HDG</b>
<b>S4</b>	<b>Stainless Steel SS304</b>
<b>S6</b>	<b>Stainless Steel SS306</b>

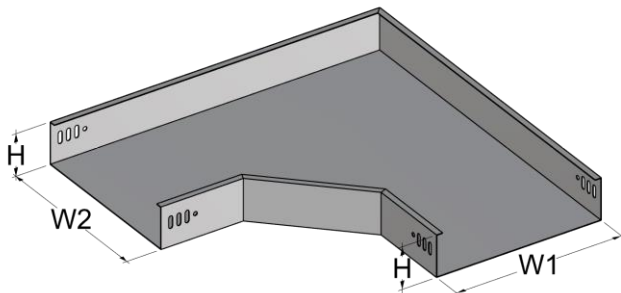
Suffix	Finish
<b>FRP</b>	<b>Fiberglass Reinforced Plastics/GRP</b>
<b>M</b>	<b>Mill/Plain Steel</b>
<b>P</b>	<b>Powder Coated</b>
<b>A</b>	<b>Aluminum</b>

## QK Cable Trunking Series



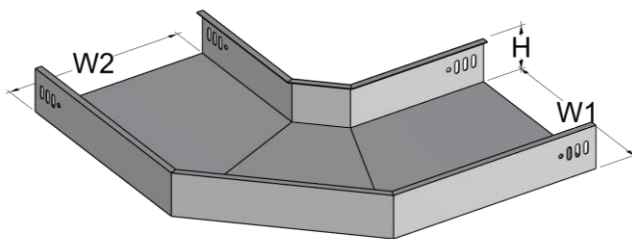
### QK Cable Trunking

Length (L)	1000~6000mm
Width (W)	50~1000mm
Height (H)	25~300mm
Thickness (T)	0.6~2.5mm



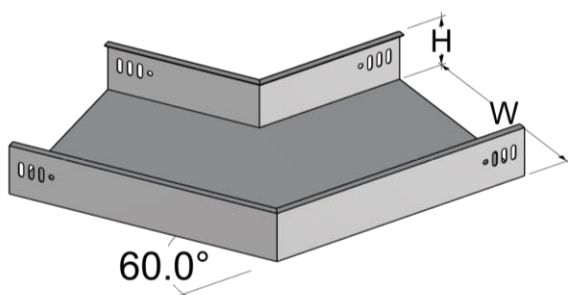
### QK-E1 Elbow 90°

Width (W)	50~1000mm
Height (H)	25~300mm
Thickness (T)	0.6~2.5mm



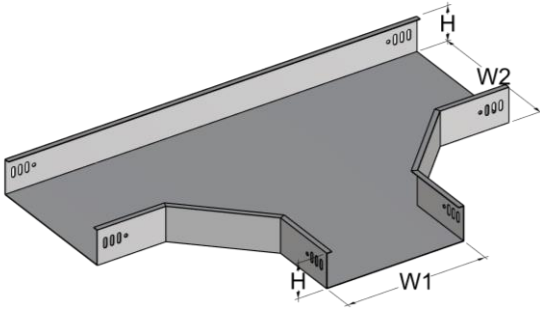
### QK-E90 Elbow 90°

Width (W)	50~1000mm
Height (H)	25~300mm
Thickness (T)	0.6~2.5mm



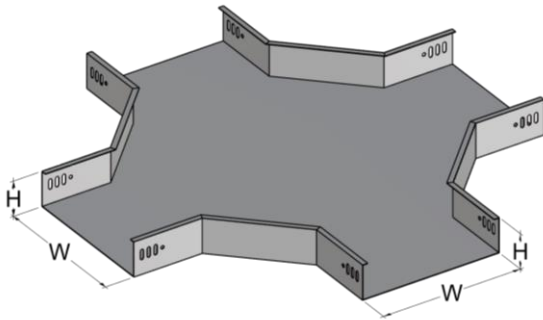
### QK-E60 Elbow 60°

Width (W)	50~1000mm
Height (H)	25~300mm
Thickness (T)	0.6~2.5mm



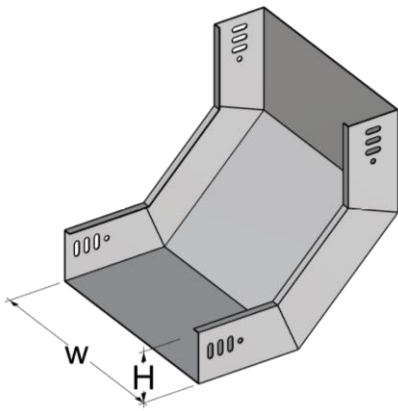
### QK-T Tee

Width (W)	50~1000mm
Height (H)	25~300mm
Thickness (T)	0.6~2.5mm



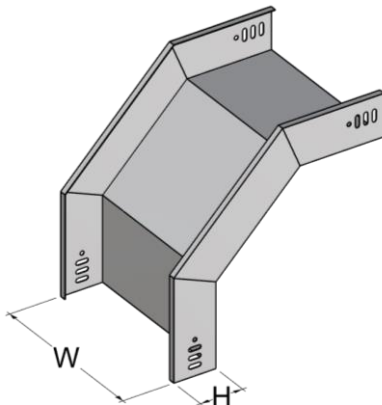
### QK-C Cross

Width (W)	50~1000mm
Height (H)	25~300mm
Thickness (T)	0.6~2.5mm



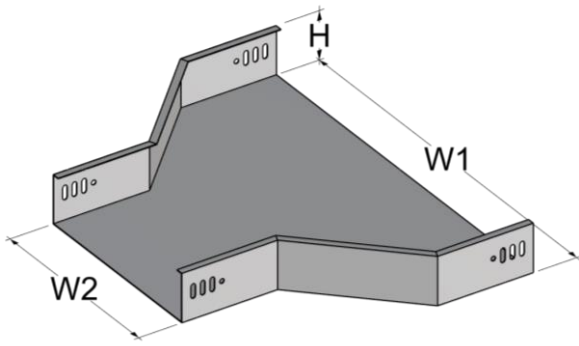
### QK-IR Inside Riser

Width (W)	50~1000mm
Height (H)	25~300mm
Thickness (T)	0.6~2.5mm



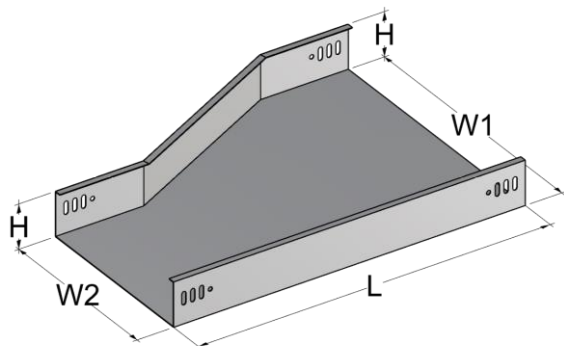
### QK-OR Outside Riser

Width (W)	50~1000mm
Height (H)	25~300mm
Thickness (T)	0.6~2.5mm



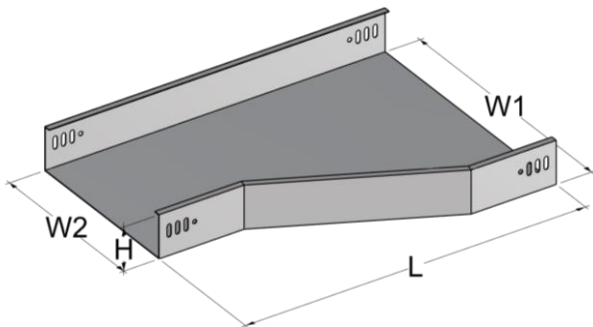
### QK-MR Middle Riser

Width (W1)	50~1000mm
Width (W2)	50~1000mm
Height (H)	25~300mm
Thickness (T)	0.6~2.5mm



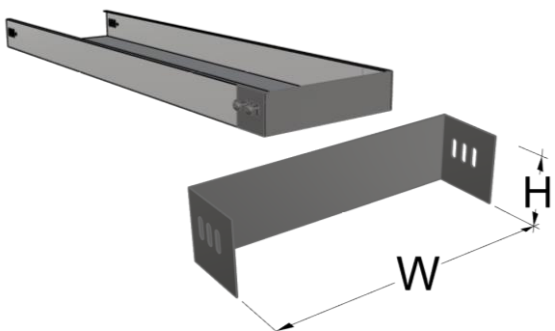
### QK-LR Left Hand Reducer

Width (W1)	50~1000mm
Width (W2)	50~1000mm
Height (H)	25~300mm
Thickness (T)	0.6~2.5mm



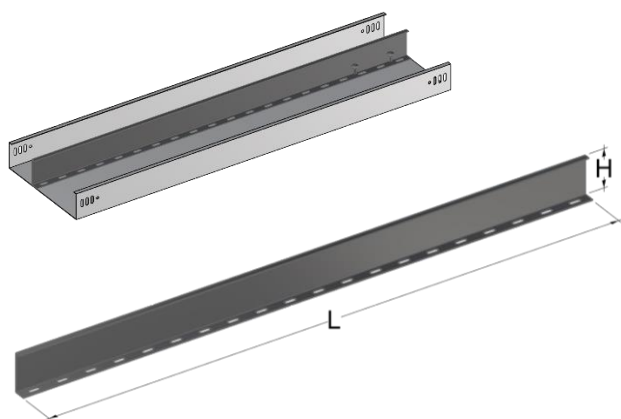
### QK-RR Right Hand Reducer

Width (W1)	50~1000mm
Width (W2)	50~1000mm
Height (H)	25~300mm
Thickness (T)	0.6~2.5mm



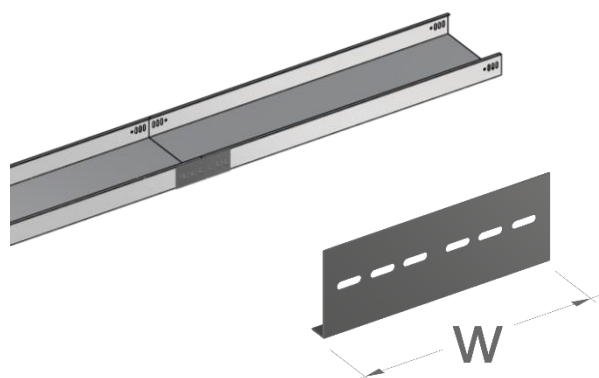
### QK-BE Blind End

Width (W)	50~1000mm
Height (H)	25~300mm
Thickness (T)	0.6~2.5mm



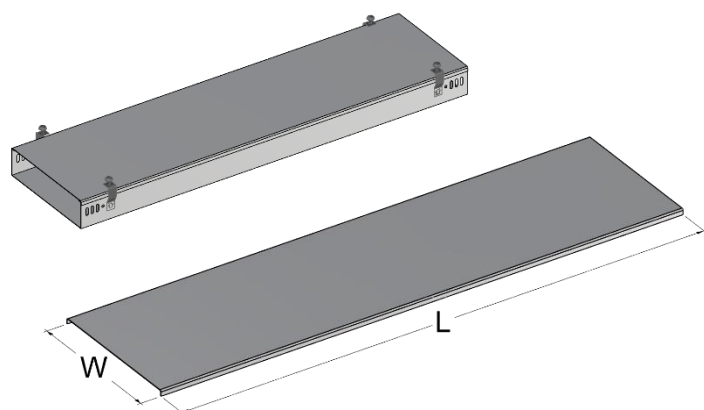
### QK-D Divider

Width (W)	50~1000mm
Length (H)	2000~6000mm
Thickness (T)	0.6~2.5mm



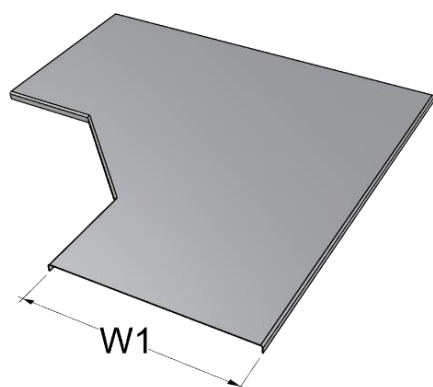
### QK-SC Straight Coupler

Width (W)	50~1000mm
Thickness (T)	0.6~2.5mm



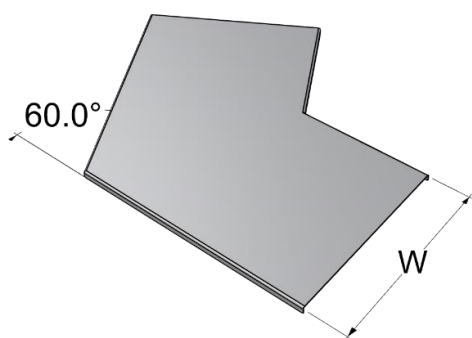
### QK-FC Flat Cover

Width (W)	50~1000mm
Length (L)	2000~6000mm
Thickness (T)	0.6~2.5mm



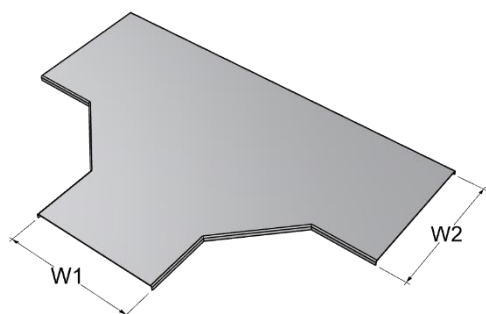
### QK-EC Elbow 90° Cover

Width (W)	50~1000mm
Thickness (T)	0.6~2.5mm



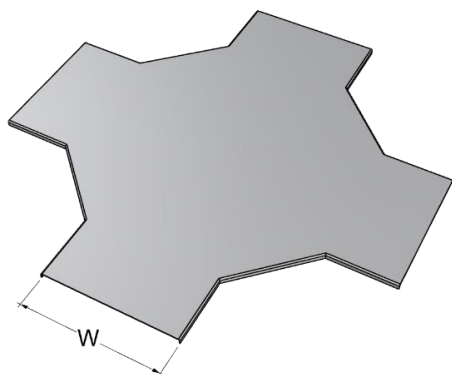
### QK-EC Elbow 60° Cover

Width (W)	50~1000mm
Thickness (T)	0.6~2.5mm



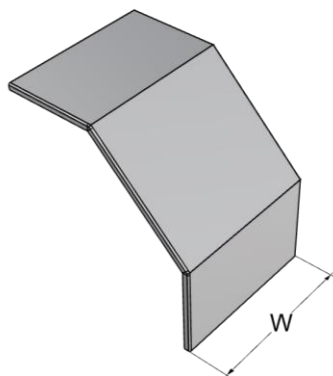
### QK-EC Tee Cover

Width (W)	50~1000mm
Thickness (T)	0.6~2.5mm



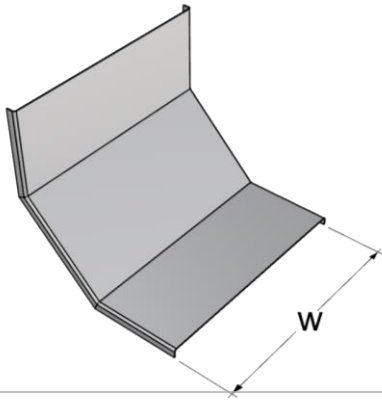
### QK-EC Cross Cover

Width (W)	50~1000mm
Thickness (T)	0.6~2.5mm



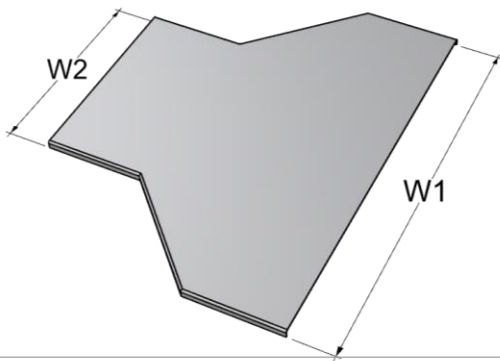
### QK-EC Outside Riser Cover

Width (W)	50~1000mm
Thickness (T)	0.6~2.5mm



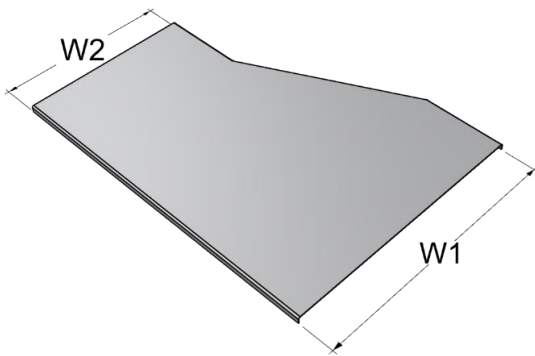
### QK-EC Inside Riser Cover

Width (W)	50~1000mm
Thickness (T)	0.6~2.5mm



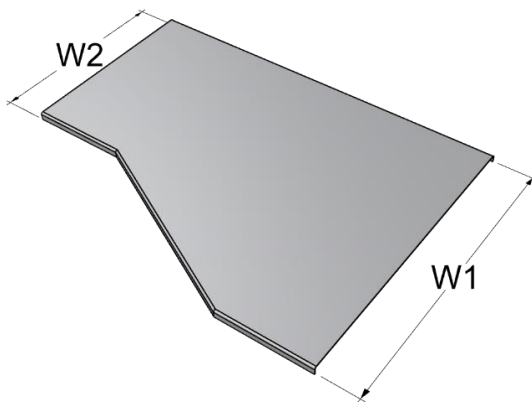
### QK-EC Middle Reducer Cover

Width (W1)	50~1000mm
Width (W2)	50~1000mm
Thickness (T)	0.6~2.5mm



### QK Left Hand Reducer Cover

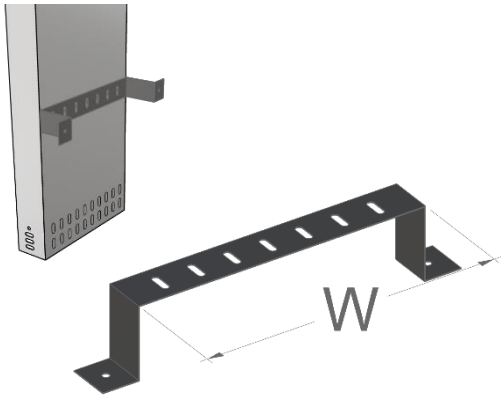
Width (W1)	50~1000mm
Width (W2)	50~1000mm
Thickness (T)	0.6~2.5mm



### QK Right Hand Reducer Cover

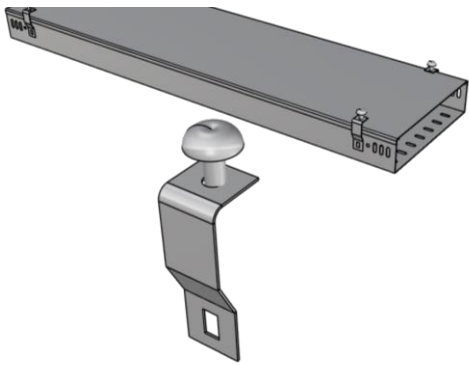
Width (W1)	50~1000mm
Width (W2)	50~1000mm
Thickness (T)	0.6~2.5mm





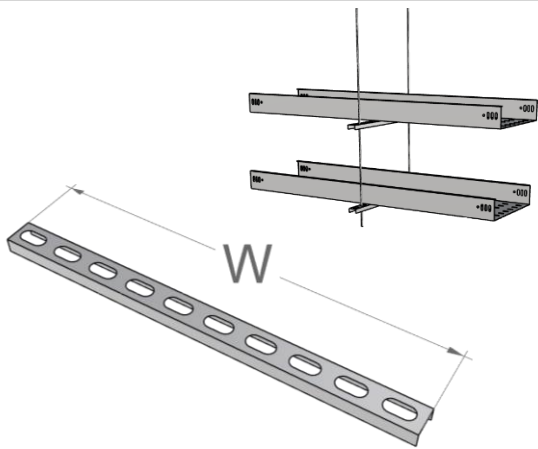
### QK Under Floor Stand

Width (W1)	50~1000mm
Width (W2)	50~1000mm
Thickness (T)	0.6~2.5mm



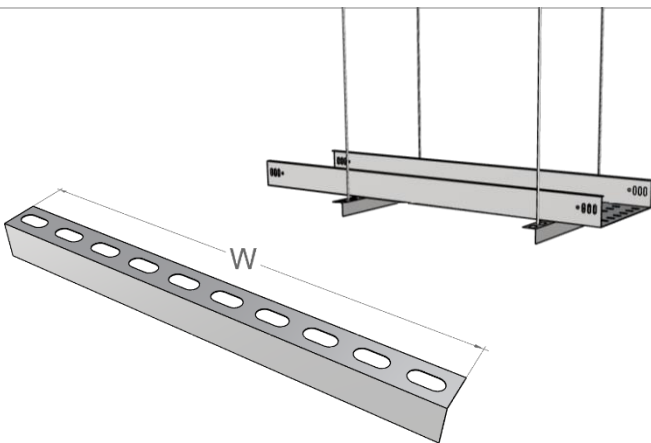
### QK Cover Clamp

Code	QK CC
------	-------



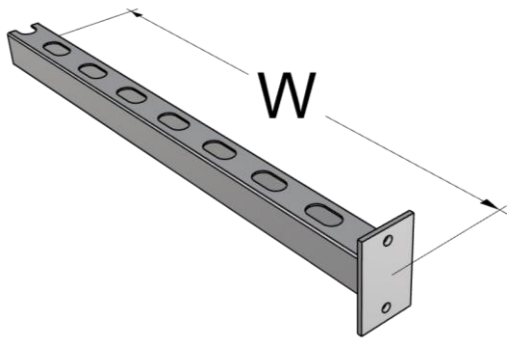
### QK Straight Bracket

Width (W1)	50~1000mm
Width (W2)	50~1000mm
Thickness (T)	0.6~2.5mm



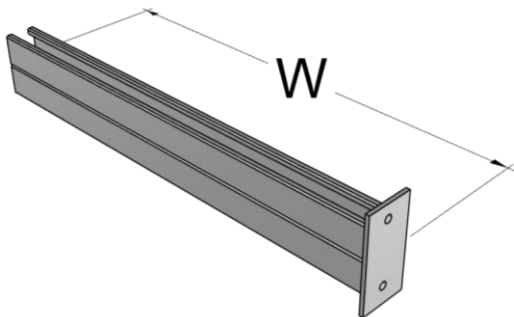
### QK Angle Bar Bracket

Width (W1)	50~1000mm
Width (W2)	50~1000mm
Thickness (T)	0.6~2.5mm



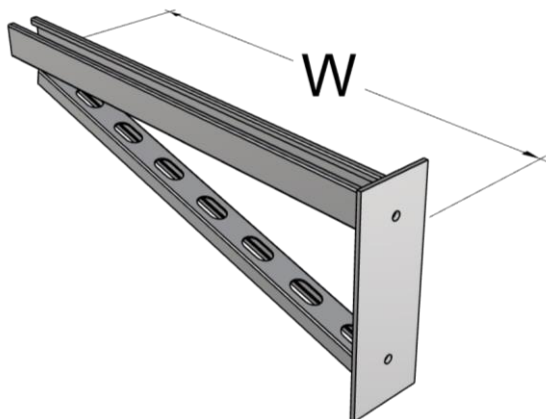
### QK Wall Bracket

Width (W1)	50~1000mm
Width (W2)	50~1000mm
Thickness (T)	0.6~2.5mm



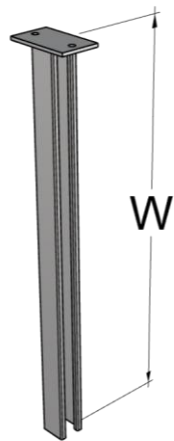
### QK Strengthening Bracket

Width (W1)	50~1000mm
Width (W2)	50~1000mm
Thickness (T)	1.5~2.5mm



### QK Strengthen Bracket

Width (W1)	50~1000mm
Width (W2)	50~1000mm
Thickness (T)	1.5~2.5mm



### QK Ceiling Bracket

Width (W1)	50~1000mm
Width (W2)	50~1000mm
Thickness (T)	1.5~2.5mm



### QK Strengthening Ceiling Bracket

Width (W1)	50~1000mm
Width (W2)	50~1000mm
Thickness (T)	1.5~2.5mm